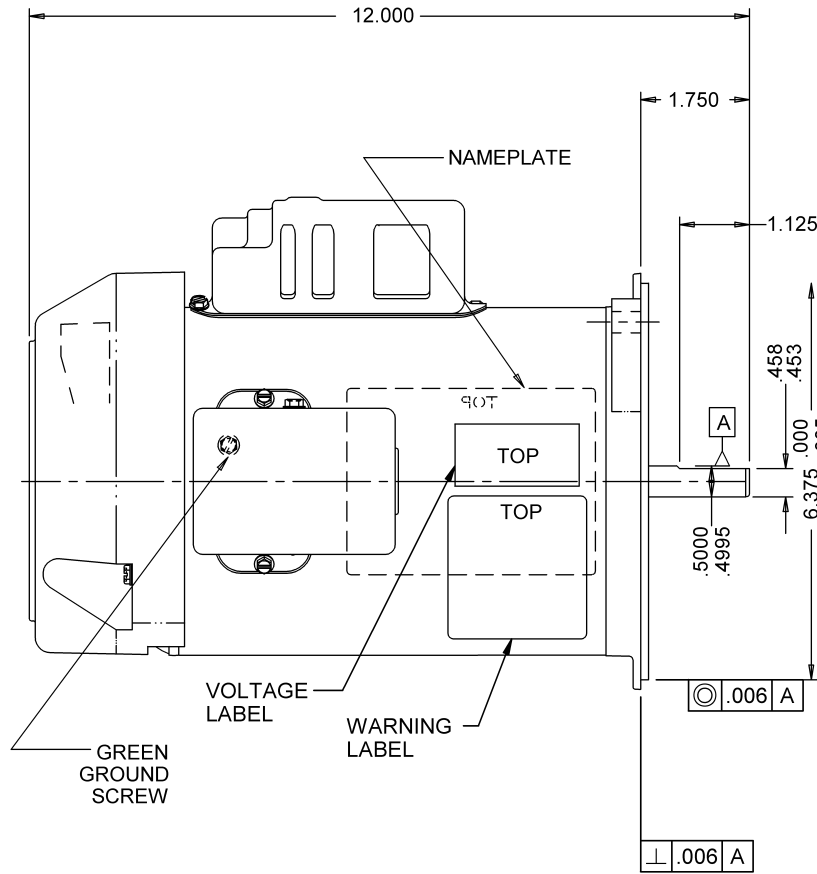
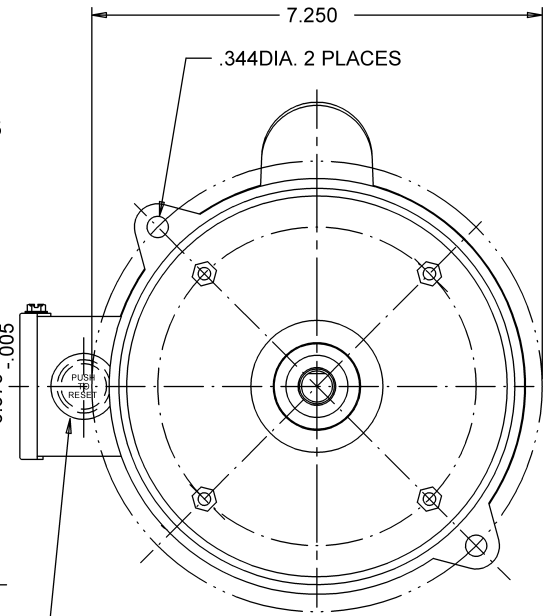


7 LEADS, #18 GAGE, WITH .750" SKINNED TERMINATION. 5 LEADS TO BE 6.000±1.000 INSIDE CONDUIT BOX P1 & P2 LEADS TO BE 4.000±1.000 INSIDE CONDUIT BOX

REV B



SHIPPED - CONNECTED FOR HIGH VOLTAGE



MANUAL RESET PROTECTOR

MODEL	REF	CUSTOMER	HP	VOLTS	AMPS	HZ	RPM	ROTATION	CUSTOMER PN	
C55BXJYJ-4744	-----	USEM	1/2	115/230	8.6/4.3&10.4/5.4	60&50	1725&1425	CW LEAD END REV.	FD12CM2PZYR	
SHEET NUMBER 1 OF 1	REV B	REVISION RECORD FOR: C5597-00			INFORMATION DISCLOSED ON THIS DOCUMENT IS CONSIDERED PROPRIETARY AND SHALL NOT BE REPRODUCED OR DISCLOSED WITHOUT WRITTEN CONSENT OF NIDEC MOTOR CORPORATION				NIDEC MOTOR CORPORATION	
DELETED NOTE OF .875 DIA. KNOCKOUTS IN CONDUIT BOX										
REVISION DATE 18-MAY-12										
ISSUED BY A. SANCHEZ	REVIEWED BY T. BOSSALLER	ENGINEER APPROVED T. BOSSALLER	TITLE ASSEMBLED VIEW				CODE V01	ITEM NO. 761374	SIZE B	