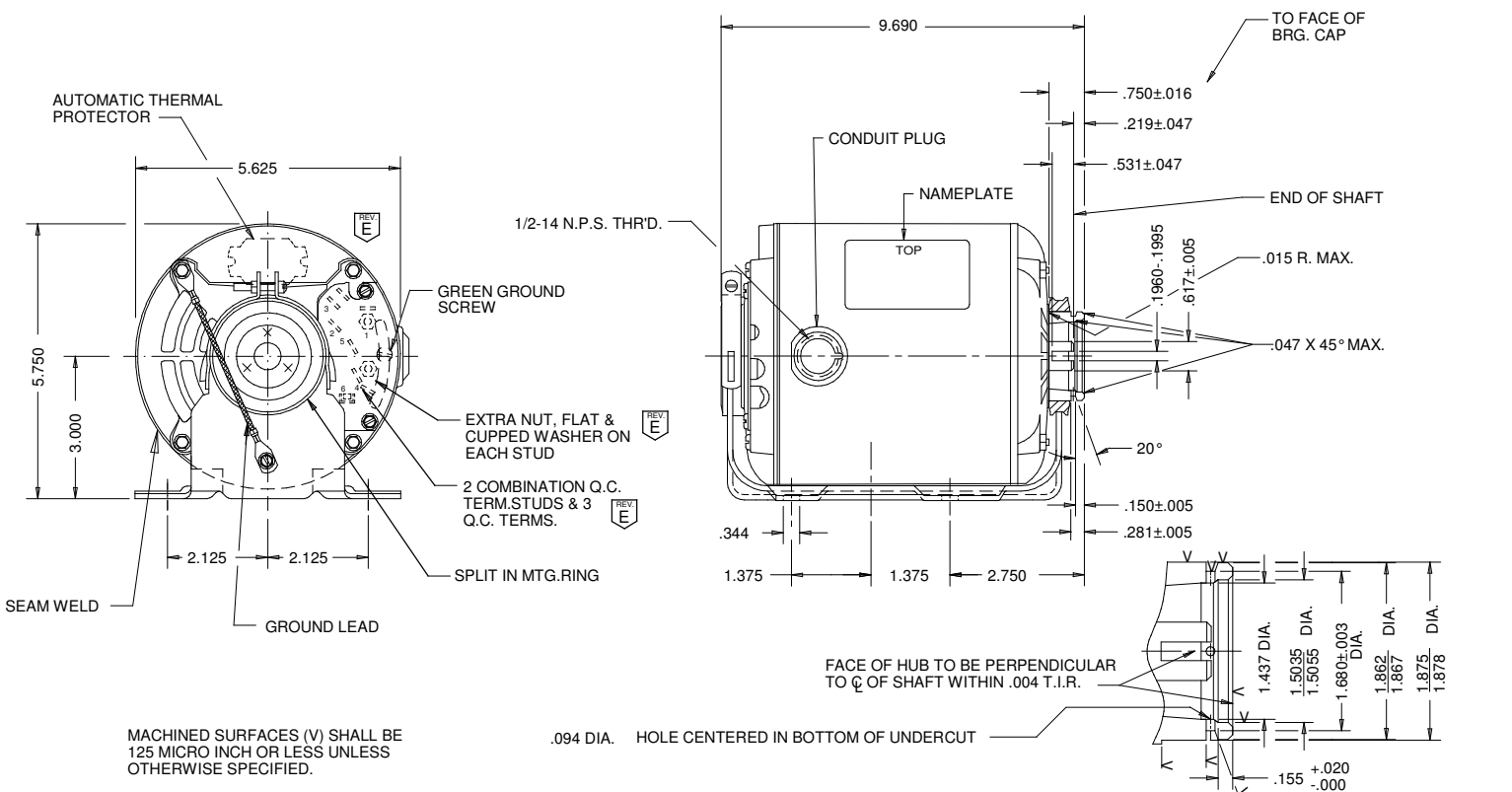




AMPRO ELECTRIC LTD.

www.shopampro.com | www.amproelectric.com | 1-800-361-3509



MACHINED SURFACES (V) SHALL BE 125 MICRO INCH OR LESS UNLESS OTHERWISE SPECIFIED.

MODEL	REF	CUSTOMER	HP	VOLTS	AMPS	HZ	RPM	ROTATION	CUSTOMER PN	
S55CXPNA-7672	--	WHOLESALE	3/4	115/230	10.0/4.9 9.8/4.9	50/60	1725/1425	CCW LEAD END REV	872	
SHEET NUMBER 1 OF 1		REVISION RECORD FOR: C3473-00			INFORMATION DISCLOSED ON THIS DOCUMENT IS CONSIDERED PROPRIETARY AND SHALL NOT BE REPRODUCED OR DISCLOSED WITHOUT WRITTEN CONSENT OF NIDEC MOTOR CORPORATION				NIDEC MOTOR CORPORATION	
REV E		UPDATED VIEW SWITCH. UPDATED NOTE.								
REVISION DATE 23-JUN-11					ALL DIMENSIONS ARE FOR REFERENCE ONLY UNLESS TOLERANCE IS GIVEN					
ISSUED BY E. VICENCIO		REVIEWED BY K. MERTENS		ENGINEER APPROVED K. MERTENS		TITLE ASSEMBLED VIEW		CODE V01	ITEM NO. 721805	SIZE B

NIDEC MOTOR CORPORATION 24-Jun-11

V01_NMCB (MAR-2011)

SOLIDEDGE