



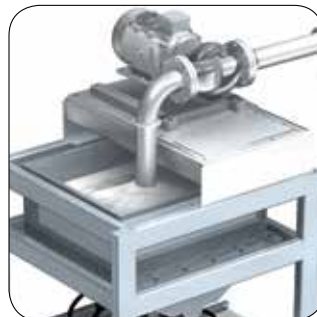
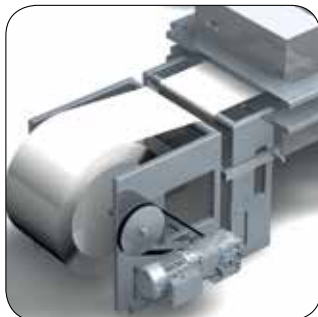
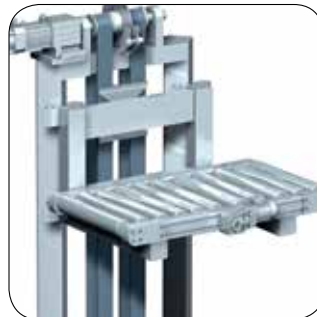
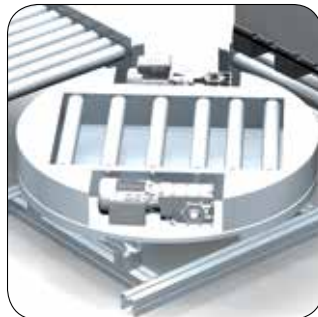
Inverter i500

Lenze makes many things easy for you.

With our motivated and committed approach, we work together with you to create the best possible solution and set your ideas in motion - whether you are looking to optimize an existing machine or develop a new one. We always strive to make things easy and seek perfection therein. This is anchored in our thinking, in our services and in every detail of our products. It's as easy as that!

Always perfect: the new i500

The i500 is recommended in applications for pumps and fans, conveyors, formers, winders, traveling drives, tool and hoist drives.



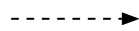
Less means more!

Focused on the essentials: the new i500

i500 is the new inverter series – a streamlined design, scalable functionality, and it is exceptionally user-friendly.

Fewer unnecessary elements

- High scalability in terms of the line voltage range, rated power and modular structure
- Supports all machine automation networks
- Diagnostics via keypad, USB or WLAN

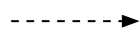


Greater cost savings

- Optimized solution for individual customer requirements
- Flexibility

Smaller Size

- Compact size: up to 15 Hp (11 kW) just 5.12 in (130 mm) deep and up to 3 Hp (2.2 kW) just 2.36 in (60 mm) wide
- Side-by-side installation with zero-clearance mounting

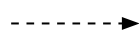


More space in the control cabinet

- Provides solutions in limited spaces
- Smaller control cabinets reduce costs

Lower engineering expenditure

- Intuitive menu structure
- Easy controller integration

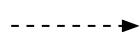


More time for what really matters

- Saves time in engineering
- Reduction in potential error sources

Lower installation expenses

- Keyhole mounting
- Plug-in terminals up to 3 Hp (2.2 kW)
 - Out-of-the-box operability, simply connect, start and run!
 - Plug-in memory module



Greater productivity

- Saves time during installation
- Faults easily identified in English text
- Lower costs in the event of service

Lower energy consumption

- Fewer inverter losses thanks to the use of cutting-edge technologies
- Energy-efficient



Greater sustainability

- Best efficiency values, lowest energy costs
- Future-proof thanks to DIN EN 50598

Less downtime

- Robust single board design
- Entire device produced by Lenze




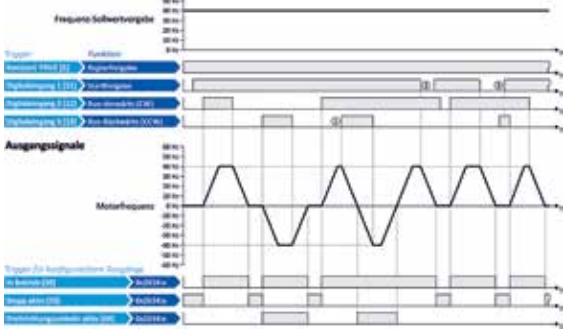

Greater reliability

- Lower quality assurance costs in manufacturing
- Reduces operational guarantee costs



Functionality

i500 provides a high-quality frequency inverter that already conforms to the future standard in accordance with the EN 50598-2 efficiency classes (IE). Overall, this provides a reliable and future-proof drive for a wide range of machine applications.

Adjustable motor controls for three-phase AC motors	
	<ul style="list-style-type: none"> • V/f characteristic control linear/quadratic (VFC plus) • Sensorless vector control (SLVC) • Energy saving function (VFC eco) • Servo control (SC-ASM) with feedback • Sensorless vector control for synchronous motors (SL-PSM) (up to 45 kW)
Motor functions	
	<ul style="list-style-type: none"> • Flying restart circuit • Slip compensation • Energy saving function (VFC eco) • DC braking • Oscillation damping • Skip frequencies • Automatic identification of the motor data • Brake energy management • Holding brake control • Voltage-add function • Rational Energy Ride Through (backup operation in case of line voltage failure) • Speed feedback (HTL encoder) • Brake resistor control (brake chopper integrated) • DC-bus connection (400 V devices)
Application functions	
	<ul style="list-style-type: none"> • Process controller • Process controller - sleep mode and rinse function • Freely assignable favorite menu • Parameter change-over • S-shaped ramps for smooth acceleration • Motor potentiometer • Flexible I/O configuration • Access protection • Automatic restart • OEM parameter set

Monitoring

off	off	No supply voltage
1 Hz		Safe torque off (STO) active.
		Safe torque off (STO) active, warning active
		Inverter inhibited
		Inverter inhibited, no DC-bus voltage
		Inverter inhibited, warning active
		Inverter inhibited, error available
		Inverter enabled and motor running
		Inverter enabled and motor running, warning pending
		Inverter enabled, quick stop as response to a fault active
Error message	Cause and remedy (W = warning, T = trouble, F = fault)	
.2382/.2383	Ixt fault/Ixt warning	
.3210/.3211	Overvoltage DC-bus/warning overvoltage DC-bus	
.3220/.3221	DC-bus voltage too low for switch-on	
.3222	DC-bus voltage too low for switch-on	
.4310	Motor over-temperature error	
.6280	Trigger/functions incorrectly connected. In flexible mode, the controller release or Run/Stop must be allocated to an I/O. Do not use start-forwards/backwards and run-forwards/backwards at the same time.	
.FF37	Automatic start disabled	

- Short circuit
- Earth fault
- Device overload monitoring (i*t)
- Motor overload monitoring (i²*t)
- Line voltage phase failure
- Stalling protection
- Motor current limit
- Maximum torque
- Ultimate motor current
- Motor speed monitoring
- Load loss detection
- Motor temperature monitoring (PTC and thermal contact)

Diagnostics



- Error history buffer
- Logbook
- LED status display
- Keypad language selection German and English

Safety functions (optional)



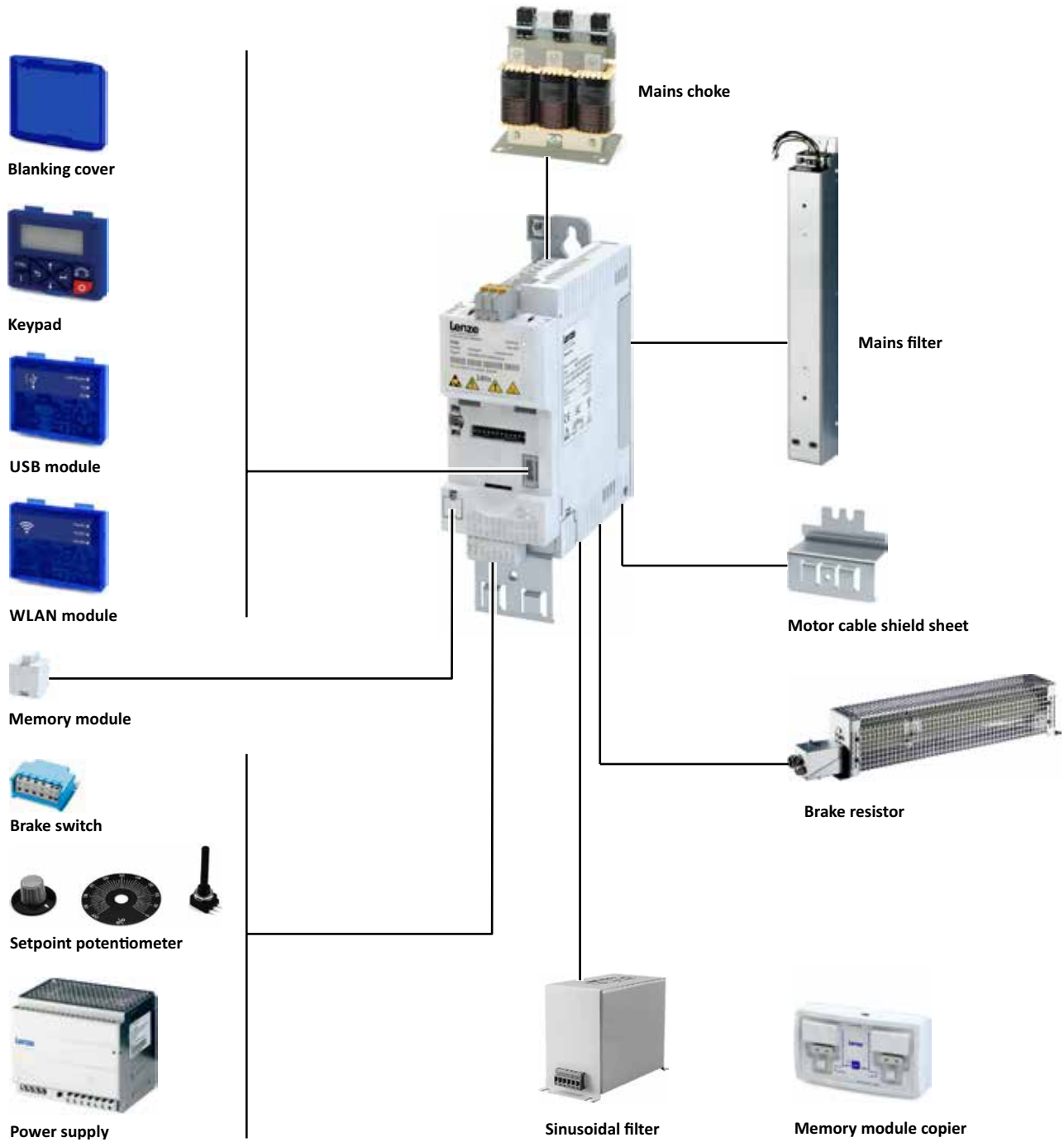
- STO (Safe torque off) with PL "e" and SIL 3

Network (optional)



- CANopen
- Modbus-RTU
- Modbus-TCP/IP
- EtherCAT
- EtherNet/IP
- PROFIBUS
- PROFINET
- POWERLINK

The scalable inverter is completed by an accessory kit. Simply select all the necessary components pertaining to your application.



Technical data

Inverter i510

Conformities	CE	2014/35/EU, 2014/30/EU
	EAC	TR TC 004/2011, TP TC 020/2011
	RoHS 2	2011/65/EU
Approvals	UL	UL 61800-5-1
Energy efficiency	Class IE2	EN 50598-2
Enclosure	IP20	EN 60529
		NEMA 250, only protection against contact according to Type 1
Power system	TT, TN	Voltage against earth: max. 300 V
	IT	Apply the measures described for IT systems!
Line voltage switching		3 x within one minute possible
Operation with residual current circuit breaker		up to 3 Hp (2.2 kW) 30mA
Cable length for EMC category C2		20 m
Switching frequencies		2, 4, 8, 16 kHz, The rated output currents listed below apply at 45 °C and switching frequencies of 2 and 4 kHz, and at 40 °C and switching frequencies of 8 and 16 kHz
Ambient temperature		55 °C (derating of 2.5 % / °C over 45 °C)
Max. output frequency		0 Hz to 599 Hz
Overload capacity		200 % for 3 s; 150 % for 60 s

	Rated power	Line voltage range	Rated output current	Weight	Dimensions
	Hp (kW)	(V)	(A)	lbs (kg)	in (mm)
One-phase inverter with integrated RFI filter*					
i510-C0.25/230-1	0.33 (0.25)	1/N/PE AC 170 V to 264 V 45 Hz to 65 Hz	1.7	1.76 (0.8)	6 x 2.4 x 5.12 (155 x 60 x 130)
i510-C0.37/230-1	0.50 (0.37)		2.4	1.76 (0.8)	6 x 2.4 x 5.12 (155 x 60 x 130)
i510-C0.55/230-1	0.75 (0.55)		3.2	2.0 (0.95)	7.1 x 2.4 x 5.12 (180 x 60 x 130)
i510-C0.75/230-1	1.0 (0.75)		4.2	2.0 (0.95)	7.1 x 2.4 x 5.12 (180 x 60 x 130)
i510-C1.1/230-1	1.5 (1.1)		6.0	3.0 (1.35)	9.8 x 2.4 x 5.12 (250 x 60 x 130)
i510-C1.5/230-1	2.0 (1.5)		7.0	3.0 (1.35)	9.8 x 2.4 x 5.12 (250 x 60 x 130)
i510-C2.2/230-1	3.0 (2.2)		9.6	3.0 (1.35)	9.8 x 2.4 x 5.12 (250 x 60 x 130)
One/three-phase inverter without integrated RFI filter*					
i510-C0.25/230-2	0.33 (0.25)	1/N/PE AC or 3/PE AC 170 V to 264 V 45 Hz to 65 Hz	1.7	1.76 (0.8)	6 x 2.4 x 5.12 (155 x 60 x 130)
i510-C0.37/230-2	0.50 (0.37)		2.4	1.76 (0.8)	6 x 2.4 x 5.12 (155 x 60 x 130)
i510-C0.55/230-2	0.75 (0.55)		3.2	2.0 (0.95)	7.1 x 2.4 x 5.12 (180 x 60 x 130)
i510-C0.75/230-2	1.0 (0.75)		4.2	2.0 (0.95)	7.1 x 2.4 x 5.12 (180 x 60 x 130)
i510-C1.1/230-2	1.5 (1.1)		6.0	3.0 (1.35)	9.8 x 2.4 x 5.12 (250 x 60 x 130)
i510-C1.5/230-2	2.0 (1.5)		7.0	3.0 (1.35)	9.8 x 2.4 x 5.12 (250 x 60 x 130)
i510-C2.2/230-2	3.0 (2.2)		9.6	3.0 (1.35)	9.8 x 2.4 x 5.12 (250 x 60 x 130)
Three-phase inverter with integrated RFI filter*					
i510-C0.37/400-3	0.50 (0.37)	3/PE AC 340 V to 528 V 45 Hz to 65 Hz	1.3	1.76 (0.8)	6 x 2.4 x 5.12 (155 x 60 x 130)
i510-C0.55/400-3	0.75 (0.55)		1.8	2.0 (0.95)	7.1 x 2.4 x 5.12 (180 x 60 x 130)
i510-C0.75/400-3	1.0 (0.75)		2.4	2.0 (0.95)	7.1 x 2.4 x 5.12 (180 x 60 x 130)
i510-C1.1/400-3	1.5 (1.1)		3.2	3.0 (1.35)	9.8 x 2.4 x 5.12 (250 x 60 x 130)
i510-C1.5/400-3	2.0 (1.5)		3.9	3.0 (1.35)	9.8 x 2.4 x 5.12 (250 x 60 x 130)
i510-C2.2/400-3	3.0 (2.2)		5.6	3.0 (1.35)	9.8 x 2.4 x 5.12 (250 x 60 x 130)

Inverter i550; Connection to 120 V mains and 230 V mains

Conformities	CE	2014/35/EU, 2014/30/EU
	EAC	TR TC 004/2011, TP TC 020/2011
	RoHS 2	2011/65/EU
Approvals	UL	UL 61800-5-1
Energy efficiency	Class IE2	EN 50598-2
Enclosure	IP20	EN 60529
		NEMA 250, only protection against contact according to Type 1
Power system	TT, TN	Voltage against earth: max. 300 V
	IT	Apply the measures described for IT systems!
mains switching		3 x within one minute possible
Operation with residual current circuit breaker		up to 3.0 Hp (2.2 kW) 30mA, above 300mA
Cable length for EMC category C2		120 V devices: - (devices have no internal RFI filter) 230 V devices: 15 m up to 0.37 kW (0.5 Hp), 20 m from 0.55 kW (0.75 Hp) (C1 up to 3 m for rated power up to 2.2 kW (3 Hp))
Switching frequencies		2, 4, 8, 16 kHz, The rated output currents listed below apply at 45 °C and switching frequencies of 2 and 4 kHz, and at 40 °C and switching frequencies of 8 and 16 kHz
Ambient temperature		55 °C (derating of 2.5 % / °C over 45 °C)
Max. output frequency		0 Hz to 599 Hz
Overload capacity		200% for 3 s; 150% for 60 s

	Rated power	Line voltage range	Rated output current	Weight	Dimensions
	Hp (kW)	(V)	(A)	lbs (kg)	in (mm)
One-phase mains connection 120 V; without integrated RFI filter					
i550-C0.25/120-1	0.33 (0.25)	1/N/PE AC 90 V to 132 V 45 Hz to 65 Hz	1.7	1.76 (0.8)	7.1 x 2.4 x 5.12 (180 x 60 x 130)
i550-C0.37/120-1	0.50 (0.37)		2.4	1.76 (0.8)	7.1 x 2.4 x 5.12 (180 x 60 x 130)
i550-C0.75/120-1	1.0 (0.75)		4.2	2.2 (1.0)	9.8 x 2.4 x 5.12 (250 x 60 x 130)
i550-C1.1/120-1	1.5 (1.1)		6.0	2.2 (1.0)	9.8 x 2.4 x 5.12 (250 x 60 x 130)
One-phase mains connection 230/240 V; with integrated RFI filter					
i550-C0.25/230-1	0.33 (0.25)	1/N/PE AC 170 V to 264 V 45 Hz to 65 Hz	1.7	1.76 (0.8)	6 x 2.4 x 5.12 (155 x 60 x 130)
i550-C0.37/230-1	0.50 (0.37)		2.4	1.76 (0.8)	6 x 2.4 x 5.12 (155 x 60 x 130)
i550-C0.55/230-1	0.75 (0.55)		3.2	1.0 (0.45)	7.1 x 2.4 x 5.12 (180 x 60 x 130)
i550-C0.75/230-1	1.0 (0.75)		4.2	1.0 (0.45)	7.1 x 2.4 x 5.12 (180 x 60 x 130)
i550-C1.1/230-1	1.5 (1.1)		6.0	3.0 (1.35)	9.8 x 2.4 x 5.12 (250 x 60 x 130)
i550-C1.5/230-1	2.0 (1.5)		7.0	3.0 (1.35)	9.8 x 2.4 x 5.12 (250 x 60 x 130)
i550-C2.2/230-1	3.0 (2.2)		9.6	3.0 (1.35)	9.8 x 2.4 x 5.12 (250 x 60 x 130)
One-phase mains connection 230/240 V; without integrated RFI filter					
i550-C0.25/230-2	0.33 (0.25)	1/N/PE AC 170 V to 264 V 45 Hz to 65 Hz	1.7	1.76 (0.8)	6 x 2.4 x 5.12 (155 x 60 x 130)
i550-C0.37/230-2	0.50 (0.37)		2.4	1.76 (0.8)	6 x 2.4 x 5.12 (155 x 60 x 130)
i550-C0.55/230-2	0.75 (0.55)		3.2	2.2 (1.0)	7.1 x 2.4 x 5.12 (180 x 60 x 130)
i550-C0.75/230-2	1.0 (0.75)		4.2	2.2 (1.0)	7.1 x 2.4 x 5.12 (180 x 60 x 130)
i550-C1.1/230-2	1.5 (1.1)		6.0	3.0 (1.35)	9.8 x 2.4 x 5.12 (250 x 60 x 130)
i550-C1.5/230-2	2.0 (1.5)		7.0	3.0 (1.35)	9.8 x 2.4 x 5.12 (250 x 60 x 130)
i550-C2.2/230-2	3.0 (2.2)		9.6	3.0 (1.35)	9.8 x 2.4 x 5.12 (250 x 60 x 130)
Three-phase mains connection 230/240 V; without integrated RFI filter					
i550-C0.25/230-2	0.33 (0.25)	3/PE AC 170 V to 264 V 45 Hz to 65 Hz	1.7	1.76 (0.8)	6 x 2.4 x 5.12 (155 x 60 x 130)
i550-C0.37/230-2	0.50 (0.37)		2.4	1.76 (0.8)	6 x 2.4 x 5.12 (155 x 60 x 130)
i550-C0.55/230-2	0.75 (0.55)		3.2	2.2 (1.0)	7.1 x 2.4 x 5.12 (180 x 60 x 130)
i550-C0.75/230-2	1.0 (0.75)		4.2	2.2 (1.0)	7.1 x 2.4 x 5.12 (180 x 60 x 130)
i550-C1.1/230-2	1.5 (1.1)		6.0	3.0 (1.35)	9.8 x 2.4 x 5.12 (250 x 60 x 130)
i550-C1.5/230-2	2.0 (1.5)		7.0	3.0 (1.35)	9.8 x 2.4 x 5.12 (250 x 60 x 130)
i550-C2.2/230-2	3.0 (2.2)		9.6	3.0 (1.35)	9.8 x 2.4 x 5.12 (250 x 60 x 130)
i550-C4.0/230-3	5.0 (4.0)		16.5	4.6 (2.1)	9.8 x 3.5 x 5.12 (250 x 90 x 130)
i550-C5.5/230-3	7.5 (5.5)	23.0	4.6 (2.1)	9.8 x 3.5 x 5.12 (250 x 90 x 130)	

Inverter i550; connection to 400 V mains supply

Certain i550 400 V inverters can be operated with two load characteristics.

Heavy Duty: For requirements with high overload behavior.

Light Duty: For requirements with low-level overload behavior.

Conformities	CE	2014/35/EU, 2014/30/EU
	EAC	TR TC 004/2011, TP TC 020/2011
	RoHS 2	2011/65/EU
Approvals	UL	UL 61800-5-1
Energy efficiency	Class IE2	EN 50598-2
Enclosure	IP20	EN 60529
		NEMA 250, only protection against contact according to Type 1
Power system	TT, TN	Voltage against earth: max. 300 V
	IT	Apply the measures described for IT systems!
mains switching		3 x within one minute possible
Operation with residual current circuit breaker		up to 3 Hp (2.2 kW) 30mA
Cable length for EMC category C2		20 m
Switching frequencies		2, 4, 8, 16 kHz, The rated output currents listed below apply at 45 °C and switching frequencies of 2 and 4 kHz, and at 40 °C and switching frequencies of 8 and 16 kHz
Ambient temperature		55 °C (derating of 2.5 % / °C over 45 °C)
Max. output frequency		0 Hz to 599 Hz
Overload capacity		200% for 3 s; Heavy Duty: 150% for 60 s, Light Duty: 120% for 60 s

	Rated power	Line voltage range	Rated output current	Weight	Dimensions
	Hp (kW)	(V)	(A)	lbs (kg)	in (mm)
Three-phase mains connection 480 V – Heavy duty; with integrated RFI filter					
i550-C0.37/400-3	0.50 (0.37)	3/PE AC 340 V to 528 V 45 Hz to 65 Hz	1.1	1.76 (0.8)	6 x 2.4 x 5.12 (155 x 60 x 130)
i550-C0.55/400-3	0.75 (0.55)		1.6	2.2 (1.0)	7.1 x 2.4 x 5.12 (180 x 60 x 130)
i550-C0.75/400-3	1.0 (0.75)		2.1	2.2 (1.0)	7.1 x 2.4 x 5.12 (180 x 60 x 130)
i550-C1.1/400-3	1.5 (1.1)		3.0	3 (1.35)	9.8 x 2.4 x 5.12 (250 x 60 x 130)
i550-C1.5/400-3	2.0 (1.5)		3.5	3 (1.35)	9.8 x 2.4 x 5.12 (250 x 60 x 130)
i550-C2.2/400-3	3.0 (2.2)		4.8	3 (1.35)	9.8 x 2.4 x 5.12 (250 x 60 x 130)
i550-C3/400-3	4.0 (3.0)		6.3	5.1 (2.3)	9.8 x 3.5 x 5.12 (250 x 90 x 130)
i550-C4/400-3	5.0 (4.0)		8.2	5.1 (2.3)	9.8 x 3.5 x 5.12 (250 x 90 x 130)
i550-C5.5/400-3	7.5 (5.5)		11.0	5.1 (2.3)	9.8 x 3.5 x 5.12 (250 x 90 x 130)
i550-C7.5/400-3	10.0 (7.5)		14.0	8.2 (3.7)	10.8 x 4.7 x 5.12 (276 x 120 x 130)
i550-C11/400-3	15.0 (11.0)		21.0	8.2 (3.7)	10.8 x 4.7 x 5.12 (276 x 120 x 130)
i550-C15/400-3	20.0 (15.0)		27.0	23 (10.3)	13.6 x 8.0 x 8.7 (347 x 204.5 x 222)
i550-C18/400-3	25.0 (18.5)		34.0	23 (10.3)	13.6 x 8.0 x 8.7 (347 x 204.5 x 222)
i550-C22/400-3	30.0 (22.0)		40.4	23 (10.3)	13.6 x 8.0 x 8.7 (347 x 204.5 x 222)
i550-C30/400-3	40.0 (30.0)		52.0	38 (17.2)	17.1 x 9.8 x 9.0 (450 x 250 x 230)
i550-C37/400-3	50.0 (37.0)		65.0	38 (17.2)	17.1 x 9.8 x 9.0 (450 x 250 x 230)
i550-C45/400-3	60.0 (45.0)	77.0	38 (17.2)	17.1 x 9.8 x 9.0 (450 x 250 x 230)	
i550-C55/400-3	75.0 (55.0)	96.0	52.9 (24)	24.5 x 9.8 x 10.4 (623 x 250 x 265)	
i550-C75/400-3	100 (75.0)	124	52.9 (24)	24.5 x 9.8 x 10.4 (623 x 250 x 265)	
Three-phase mains connection 480 V – Light duty; with integrated RFI filter					
i550-C3/400-3	5.0 (4.0)	3/PE AC 340 V to 528 V 45 Hz to 65 Hz	7.6	5.1 (2.3)	9.8 x 3.5 x 5.12 (250 x 90 x 130)
i550-C4/400-3	7.5 (5.5)		9.8	5.1 (2.3)	9.8 x 3.5 x 5.12 (250 x 90 x 130)
i550-C5.5/400-3	10.0 (7.5)		13.2	5.1 (2.3)	9.8 x 3.5 x 5.12 (250 x 90 x 130)
i550-C7.5/400-3	15.0 (11.0)		18.3	8.2 (3.7)	10.8 x 4.7 x 5.12 (276 x 120 x 130)
i550-C11/400-3	20.0 (15.0)		25.2	8.2 (3.7)	10.8 x 4.7 x 5.12 (276 x 120 x 130)
i550-C15/400-3	25.0 (18.5)		32.4	23 (10.3)	13.6 x 8.0 x 8.7 (347 x 204.5 x 222)
i550-C18/400-3	30.0 (22.0)		40.8	23 (10.3)	13.6 x 8.0 x 8.7 (347 x 204.5 x 222)
i550-C22/400-3	40.0 (30.0)		48.5	23 (10.3)	13.6 x 8.0 x 8.7 (347 x 204.5 x 222)
i550-C30/400-3	50.0 (37.0)		62.4	38 (17.2)	17.1 x 9.8 x 9.0 (450 x 250 x 230)
i550-C37/400-3	60.0 (45.0)		78.0	38 (17.2)	17.1 x 9.8 x 9.0 (450 x 250 x 230)
i550-C45/400-3	75.0 (55.0)		92.4	38 (17.2)	17.1 x 9.8 x 9.0 (450 x 250 x 230)
i550-C55/400-3	100 (75.0)		115	52.9 (24)	24.5 x 9.8 x 10.4 (623 x 250 x 265)
i550-C75/400-3	125 (90.0)		149	52.9 (24)	24.5 x 9.8 x 10.4 (623 x 250 x 265)

Order code i500

i510 or i550: delivered as a complete inverter

For OEM applications, the drives can be ordered pre-configured as complete inverters up to 100 Hp.

Ordering information for complete device

Example for inverter i550-C2.2/400-3:

Inverters	Order code
<ul style="list-style-type: none"> Three-phase line voltage connection 400/480 V Power 3 Hp (2.2 kW) Safety function STO Standard I/O with CANopen 	i55AE222F1 A V1 0 002S

Inverters	Order code			
i5x0-C0.25/120-1	i5xAE125A1			
i5x0-C0.37/120-1	i5xAE137A1			
i5x0-C0.75/120-1	i5xAE175A1			
i5x0-C1.1/120-1	i5xAE211A1			
i5x0-C0.25/230-1	i5xAE125B1			
i5x0-C0.37/230-1	i5xAE137B1			
i5x0-C0.55/230-1	i5xAE155B1			
i5x0-C0.75/230-1	i5xAE175B1			
i5x0-C1.1/230-1	i5xAE211B1			
i5x0-C1.5/230-1	i5xAE215B1			
i5x0-C2.2/230-1	i5xAE222B1			
i5x0-C0.25/230-2	i5xAE125D1			
i5x0-C0.37/230-2	i5xAE137D1			
i5x0-C0.55/230-2	i5xAE155D1			
i5x0-C0.75/230-2	i5xAE175D1			
i5x0-C1.1/230-2	i5xAE211D1			
i5x0-C1.5/230-2	i5xAE215D1			
i5x0-C2.2/230-2	i5xAE222D1			
i550-C4.0/230-3	i55AE240C1			
i550-C5.5/230-3	i55AE255C1			
i5x0-C0.37/400-3	i5xAE137F1			
i5x0-C0.55/400-3	i5xAE155F1			
i5x0-C0.75/400-3	i5xAE175F1			
i5x0-C1.1/400-3	i5xAE211F1			
i5x0-C1.5/400-3	i5xAE215F1			
i5x0-C2.2/400-3	i5xAE222F1			
i550-C3/400-3	i55AE230F1			
i550-C4/400-3	i55AE240F1			
i550-C5.5/400-3	i55AE255F1			
i550-C7.5/400-3	i55AE275F1			
i550-C11/400-3	i55AE311F1			
i550-C15/400-3	i55AE315F1			
i550-C18.5/400-3	i55AE318F1			
i550-C22/400-3	i55AE322F1			
i550-C30/400-3	i55AE330F1			
i550-C37/400-3	i55AE337F1			
i550-C45/400-3	i55AE345F1			
i550-C55/400-3	i55AE355F1			
i550-C75/400-3	i55AE375F1			
Safety Engineering				
Without safety function				0
Safety function STO				A
Control code*				
Type				
Global type, line voltage frequency 50 Hz				0
USA type, mains frequency 60 Hz				1
Compact device types i510				
Basic I/O				000S
Basic I/O with CANopen/Modbus				001S
Mounted control unit in the case of the i550				
Standard I/O without network				000S
Application I/O without network				001S
Standard I/O with CANopen				002S
Standard I/O with Modbus RTU				003S
Standard I/O with PROFIBUS				004S
Standard I/O with EtherCAT				00KS
Standard I/O with PROFINET				00LS
Standard I/O with EtherNet/IP				00MS
Standard I/O with Modbus TCP				00WS
Standard I/O with POWERLINK				012S

* Please check availability prior to placing order.

i550: delivery as components

If different product versions are required in the machine, the various components can be ordered individually. Depending on the application, the components can be plugged in together easily and without any additional tools.

Ordering information for components

Example for inverter i550-C2.2/400-3:

Components	Order code
• Three-phase line voltage connection V Power 400 Hp (2.2 kW)	I5DAE222F10V10000S
Safety function STO	I5MASAV000000S
Standard I/O with CANopen	I5CA5C02000VA0000S

Power Unit inverter	Order code
i550-C0.25/120-1	i5DAE125A10V00000S
i550-C0.37/120-1	i5DAE137A10V00000S
i550-C0.75/120-1	i5DAE175A10V00000S
i550-C1.1/120-1	i5DAE211A10V00000S
i550-C0.25/230-1	i5DAE125B10V10000S
i550-C0.37/230-1	i5DAE137B10V10000S
i550-C0.55/230-1	i5DAE155B10V10000S
i550-C0.75/230-1	i5DAE175B10V10000S
i550-C1.1/230-1	i5DAE211B10V10000S
i550-C1.5/230-1	i5DAE215B10V10000S
i550-C2.2/230-1	i5DAE222B10V10000S
i550-C0.25/230-2	i5DAE125D10V00000S
i550-C0.37/230-2	i5DAE137D10V00000S
i550-C0.55/230-2	i5DAE155D10V00000S
i550-C0.75/230-2	i5DAE175D10V00000S
i550-C1.1/230-2	i5DAE211D10V00000S
i550-C1.5/230-2	i5DAE215D10V00000S
i550-C2.2/230-2	i5DAE222D10V00000S
i550-C4.0/230-3	i5DAE240C10V00000S
i550-C5.5/230-3	i5DAE255C10V00000S
i550-C0.37/400-3	i5DAE137F10V10000S
i550-C0.55/400-3	i5DAE155F10V10000S
i550-C0.75/400-3	i5DAE175F10V10000S
i550-C1.1/400-3	i5DAE211F10V10000S
i550-C1.5/400-3	i5DAE215F10V10000S
i550-C2.2/400-3	i5DAE222F10V10000S
i550-C3/400-3	i5DAE230F10V10000S
i550-C4/400-3	i5DAE240F10V10000S
i550-C5.5/400-3	i5DAE255F10V10000S
i550-C7.5/400-3	i5DAE275F10V10000S
i550-C11/400-3	i5DAE311F10V10000S
i550-C15/400-3	i5DAE315F10V10000S
i550-C18.5/400-3	i5DAE318F10V10000S
i550-C22/400-3	i5DAE322F10V10000S
i550-C30/400-3	i5DAE330F10V10000S
i550-C37/400-3	i5DAE337F10V10000S
i550-C45/400-3	i5DAE345F10V10000S
i550-C55/400-3	i5DAE355F10V10000S
i550-C75/400-3	i5DAE375F10V10000S

Safety module	Order code
Safety function STO	I5MASAV000000S

Control unit	Order code	
	50 Hz	60 Hz
Standard I/O without network	I5CA5002000VA0000S	I5CA5002000VA1000S
Application I/O without network	I5CA5003000VA0000S	I5CA5003000VA1000S
Standard I/O with CANopen	I5CA5C02000VA0000S	I5CA5C02000VA1000S
Standard I/O with Modbus RTU	I5CA5W02000VA0000S	I5CA5W02000VA1000S
Standard I/O with Modbus TCP	I5CA5V02000VA0000S	I5CA5V02000VA1000S
Standard I/O with PROFIBUS	I5CA5P02000VA0000S	I5CA5P02000VA1000S
Standard I/O with EtherCAT	I5CA5T02000VA0000S	I5CA5T02000VA1000S
Standard I/O with PROFINET	I5CA5R02000VA0000S	I5CA5R02000VA1000S
Standard I/O with EtherNet/IP	I5CA5G02000VA0000S	I5CA5G02000VA1000S
Standard I/O with POWERLINK	I5CA5N02000VA0000S	I5CA5N02000VA1000S

Product extensions


Diagnostics and operation of the i510 and i550

For diagnostics and parameterisation, the keypad, the Lenze Smart Keypad app (download from Google Play) or the EASY Starter can be used.

Inverters	Keypad	WLAN	USB
			
i550-Cxxx/120-1 i5x0-Cxxx/230-1 i5x0-Cxxx/230-2 i550-Cxxx/230-3 i5x0-Cxxx/400-3	I5MADK00000005	I5MADW00000005	I5MADU00000005
			3 m cable
			EWL0085/S
			5 m cable
			EWL0086/S

Functional safety for the i550

The safety function STO can also be ordered at a later date and retrofitted.

Inverters	Safety function STO (Safe torque off)
	
i550-Cxxx/120-1 i5x0-Cxxx/230-1 i5x0-Cxxx/230-2 i550-Cxxx/230-3 i5x0-Cxxx/400-3	I5MASAV00000005


Shield sheet for the i510 and i550

Accessories to safeguard the EMC if the motor shield is not installed on an earthing busbar in the control cabinet. From 20 Hp (15 kW), the shield sheet is included with the inverter on delivery.

Inverters	Shield mounting kit	
Inverter i510 and i550 0.33 to 3.0 Hp (0.25 to 2.2 kW)	EZAMBHXM014/M	5 x motor shielding plates
		10 x fixing clips
Inverter i550 4.0 to 7.5 Hp (3.0 to 5.5 kW)	IEZAMBHXM015/M	5 x motor shielding plates, 10 x fixing clips
		5 x clamps (cable diameter 4 mm to 15 mm)
Inverter i550 10 to 15 Hp (7.5 to 11 kW)	EZAMBHXM016/M	5 x motor shielding plate, 5 x fixing clips
		10 x wire clamp (cable diameter .39 to .79 in [10 to 20 mm])
Inverter i550 20 to 60 Hp (15 to 45 kW)	EZAMBHXM004/M	5 x clamps (cable diameter 15 mm to 28 mm)
	EZAMBHXM005/M	5 x clamps (cable diameter 20 mm to 37 mm)

Accessories

Accessories i510


Inverters	Rated power Hp (kW)	Line voltage range [V]	Brake resistor	
				
			Order codes	Dimensions in (mm)
i510-C0.25/230-1	0.33 (0.25)	1/N/PE AC 170 V to 264 V 45 Hz to 65 Hz	-	-
i510-C0.37/230-1	0.50 (0.37)		-	-
i510-C0.55/230-1	0.75 (0.55)		-	-
i510-C0.75/230-1	1.0 (0.75)		-	-
i510-C1.1/230-1	1.5 (1.1)		-	-
i510-C1.5/230-1	2.0 (1.5)		-	-
i510-C2.2/230-1	3.0 (2.2)		-	-
i510-C0.25/230-2	0.33 (0.25)	1/N/PE AC or 3/PE AC 170 V to 264 V 45 Hz to 65 Hz	-	-
i510-C0.37/230-2	0.50 (0.37)		-	-
i510-C0.55/230-2	0.75 (0.55)		-	-
i510-C0.75/230-2	1.0 (0.75)		-	-
i510-C1.1/230-2	1.5 (1.1)		-	-
i510-C1.5/230-2	2.0 (1.5)		-	-
i510-C2.2/230-2	3.0 (2.2)		-	-
i510-C0.37/400-3	0.50 (0.37)	3/PE AC 340 V to 528 V 45 Hz to 65 Hz	-	-
i510-C0.55/400-3	0.75 (0.55)		-	-
i510-C0.75/400-3	1.0 (0.75)		-	-
i510-C1.1/400-3	1.5 (1.1)		-	-
i510-C1.5/400-3	2.0 (1.5)		-	-
i510-C2.2/400-3	3.0 (2.2)		-	-

There are also additional accessory components available for the i510 inverter. You can find the complete range at www.Lenze.com.

Choke		RFI filter			
		Short distance		Long distance	
		<ul style="list-style-type: none"> • C1 up to 82 ft (25 m) • C2 up to 164 ft (50 m) • Reduces leakage current (30 mA FI) 		<ul style="list-style-type: none"> • C1 up to 164 ft (50 m) • C2 up to 33 ft (100 m) • Reduces leakage current (300 mA FI) 	
Order codes	Dimensions in (mm)	Order codes	Dimensions in (mm)	Order codes	Dimensions in (mm)
ELN1-0900H005	3.0 x 2.6 x 3.2 (75 x 66 x 82)	I0FAE175B100S0000S	10.8 x 2.4 x 2.0 (276 x 60 x 50)	I0FAE175B100D0000S	10.8 x 2.4 x 2.0 (276 x 60 x 50)
ELN1-0900H005	3.0 x 2.6 x 3.2 (75 x 66 x 82)	I0FAE175B100S0000S	10.8 x 2.4 x 2.0 (276 x 60 x 50)	I0FAE175B100D0000S	10.8 x 2.4 x 2.0 (276 x 60 x 50)
ELN1-0500H009	3.0 x 2.6 x 3.2 (75 x 66 x 82)	I0FAE175B100S0000S	10.8 x 2.4 x 2.0 (276 x 60 x 50)	I0FAE175B100D0000S	10.8 x 2.4 x 2.0 (276 x 60 x 50)
ELN1-0500H009	3.0 x 2.6 x 3.2 (75 x 66 x 82)	I0FAE175B100S0000S	10.8 x 2.4 x 2.0 (276 x 60 x 50)	I0FAE175B100D0000S	10.8 x 2.4 x 2.0 (276 x 60 x 50)
ELN1-0250H018	3.8 x 3.8 x 3.54 (96 x 96 x 90)	I0FAE222B100S0000S	13.6 x 2.4 x 2.0 (346 x 60 x 50)	I0FAE222B100D0000S	13.6 x 2.4 x 2.0 (346 x 60 x 50)
ELN1-0250H018	3.8 x 3.8 x 3.54 (96 x 96 x 90)	I0FAE222B100S0000S	13.6 x 2.4 x 2.0 (346 x 60 x 50)	I0FAE222B100D0000S	13.6 x 2.4 x 2.0 (346 x 60 x 50)
ELN1-0250H018	3.8 x 3.8 x 3.54 (96 x 96 x 90)	I0FAE222B100S0000S	13.6 x 2.4 x 2.0 (346 x 60 x 50)	I0FAE222B100D0000S	13.6 x 2.4 x 2.0 (346 x 60 x 50)
EZAELN3002B153	2.2 x 3.0 x 3.9 (56 x 77 x 100)	–	–	–	–
EZAELN3004B742	2.4 x 3.74 x 4.5 (60 x 95 x 114)	–	–	–	–
EZAELN3004B742	2.4 x 3.74 x 4.5 (60 x 95 x 114)	–	–	–	–
EZAELN3006B492	2.4 x 3.74 x 4.6 (60 x 95 x 117)	–	–	–	–
EZAELN3006B492	2.4 x 3.74 x 4.6 (60 x 95 x 117)	–	–	–	–
EZAELN3008B372	3.34 x 4.72 x 5.4 (85 x 120 x 137)	–	–	–	–
EZAELN3010B292	3.34 x 4.72 x 5.27 (85 x 120 x 134)	–	–	–	–
EZAELN3002B203	2.2 x 3.0 x 3.9 (56 x 77 x 100)	I0FAE175F100S0000S	10.8 x 2.4 x 2.0 (276 x 60 x 50)	I0FAE175F100D0000S	10.8 x 2.4 x 2.0 (276 x 60 x 50)
EZAELN3002B153	2.2 x 3.0 x 3.9 (56 x 77 x 100)	I0FAE175F100S0000S	10.8 x 2.4 x 2.0 (276 x 60 x 50)	I0FAE175F100D0000S	10.8 x 2.4 x 2.0 (276 x 60 x 50)
EZAELN3004B742	2.4 x 3.74 x 4.5 (60 x 95 x 114)	I0FAE175F100S0000S	10.8 x 2.4 x 2.0 (276 x 60 x 50)	I0FAE175F100D0000S	10.8 x 2.4 x 2.0 (276 x 60 x 50)
EZAELN3004B742	2.4 x 3.74 x 4.5 (60 x 95 x 114)	I0FAE222F100S0000S	13.6 x 2.4 x 2.0 (346 x 60 x 50)	I0FAE222F100D0000S	13.6 x 2.4 x 2.0 (346 x 60 x 50)
EZAELN3004B742	2.4 x 3.74 x 4.5 (60 x 95 x 114)	I0FAE222F100S0000S	13.6 x 2.4 x 2.0 (346 x 60 x 50)	I0FAE222F100D0000S	13.6 x 2.4 x 2.0 (346 x 60 x 50)
EZAELN3006B492	2.4 x 3.74 x 4.6 (60 x 95 x 117)	I0FAE222F100S0000S	13.6 x 2.4 x 2.0 (346 x 60 x 50)	I0FAE222F100D0000S	13.6 x 2.4 x 2.0 (346 x 60 x 50)

Accessories


Accessories i550; Connection to 120 V mains and 230 V mains

Inverters	Rated power Hp (kW)	Line voltage range (V)	Brake resistor	
				
			Order codes	Dimensions in (mm)
i550-C0.25/120-1	0.33 (0.25)	1/N/PE AC 90 V to 132 V 45 Hz to 65 Hz	ERBM180R050W	6.8 x 0.82 x 1.57 (175 x 21 x 40)
i550-C0.37/120-1	0.50 (0.37)		ERBM180R050W	6.8 x 0.82 x 1.57 (175 x 21 x 40)
i550-C0.75/120-1	1.0 (0.75)		ERBM100R100W	9.4 x 3.14 x 3.74 (240 x 80 x 95)
i550-C1.1/120-1	1.5 (1.1)		ERBP047R200W	12.6 x 1.6 x 4.8 (320 x 41 x 122)
i550-C0.25/230-1	0.33 (0.25)	1/N/PE AC 170 V to 264 V 45 Hz to 65 Hz	ERBM180R050W	7.0 x 0.8 x 1.6 (175 x 20.6 x 40)
i550-C0.37/230-1	0.50 (0.37)		ERBM180R050W	7.0 x 0.8 x 1.6 (175 x 20.6 x 40)
i550-C0.55/230-1	0.75 (0.55)		ERBM100R100W	9.4 x 3.14 x 3.74 (240 x 80 x 95)
i550-C0.75/230-1	1.0 (0.75)		ERBM100R100W	9.4 x 3.14 x 3.74 (240 x 80 x 95)
i550-C1.1/230-1	1.5 (1.1)		ERBP033R200W	9.45 x 1.6 x 4.8 (240 x 41 x 122)
i550-C1.5/230-1	2.0 (1.5)		ERBP033R200W	9.45 x 1.6 x 4.8 (240 x 41 x 122)
i550-C2.2/230-1	3.0 (2.2)		ERBP033R200W	9.45 x 1.6 x 4.8 (240 x 41 x 122)
i550-C0.25/230-2	0.33 (0.25)	1/N/PE AC or 3/PE AC 170 V to 264 V 45 Hz to 65 Hz	ERBM180R050W	7.0 x 0.8 x 1.6 (175 x 20.6 x 40)
i550-C0.37/230-2	0.50 (0.37)		ERBM180R050W	7.0 x 0.8 x 1.6 (175 x 20.6 x 40)
i550-C0.55/230-2	0.75 (0.55)		ERBM100R100W	9.4 x 3.14 x 3.74 (240 x 80 x 95)
i550-C0.75/230-2	1.0 (0.75)		ERBM100R100W	9.4 x 3.14 x 3.74 (240 x 80 x 95)
i550-C1.1/230-2	1.5 (1.1)		ERBP033R200W	9.45 x 1.6 x 4.8 (240 x 41 x 122)
i550-C1.5/230-2	2.0 (1.5)		ERBP033R200W	9.45 x 1.6 x 4.8 (240 x 41 x 122)
i550-C2.2/230-2	3.0 (2.2)	ERBP033R200W	9.45 x 1.6 x 4.8 (240 x 41 x 122)	
i550-C4.0/230-3	5.0 (4.0)	3/PE AC 170 V to 264 V 45 Hz to 65 Hz	ERBS015R800W	28 x 4.33 x 4.13 (710 x 110 x 105)
i550-C5.5/230-3	7.5 (5.5)		ERBS015R800W	28 x 4.33 x 4.13 (710 x 110 x 105)

There are also additional accessory components available for the i550 inverter. You can find the complete range at www.Lenze.com.

Choke		RFI filter			
		Short distance		Long distance	
<ul style="list-style-type: none"> Up to 18.5 kW can be optionally used; from 22 kW upwards, prescribed Reduction of the effective mains current Less harmonics 		<ul style="list-style-type: none"> C1 up to 82 ft (25 m) C2 up to 164 ft (50 m) Reduces leakage current (30 mA FI) 		<ul style="list-style-type: none"> C1 up to 164 ft (50 m) C2 up to 33 ft (100 m) Reduces leakage current (300 mA FI) 	
Order codes	Dimensions	Order codes	Dimensions	Order codes	Dimensions
	in (mm)		in (mm)		in (mm)
ELN1-0500H009	3.0 x 2.6 x 3.2 (75 x 66 x 82)	-	-	-	-
ELN1-0500H009	3.0 x 2.6 x 3.2 (75 x 66 x 82)	-	-	-	-
ELN1-0250H018	3.8 x 3.8 x 3.54 (96 x 96 x 90)	-	-	-	-
ELN1-0250H018	3.8 x 3.8 x 3.54 (96 x 96 x 90)	-	-	-	-
ELN1-0900H005	3.0 x 2.6 x 3.2 (75 x 66 x 82)	IOFAE175B100S0000S	10.8 x 2.4 x 2.0 (276 x 60 x 50)	IOFAE175B100D0000S	10.8 x 2.4 x 2.0 (276 x 60 x 50)
ELN1-0900H005	3.0 x 2.6 x 3.2 (75 x 66 x 82)	IOFAE175B100S0000S	10.8 x 2.4 x 2.0 (276 x 60 x 50)	IOFAE175B100D0000S	10.8 x 2.4 x 2.0 (276 x 60 x 50)
ELN1-0500H009	3.0 x 2.6 x 3.2 (75 x 66 x 82)	IOFAE175B100S0000S	10.8 x 2.4 x 2.0 (276 x 60 x 50)	IOFAE175B100D0000S	10.8 x 2.4 x 2.0 (276 x 60 x 50)
ELN1-0500H009	3.0 x 2.6 x 3.2 (75 x 66 x 82)	IOFAE175B100S0000S	10.8 x 2.4 x 2.0 (276 x 60 x 50)	IOFAE175B100D0000S	10.8 x 2.4 x 2.0 (276 x 60 x 50)
ELN1-0250H018	3.8 x 3.8 x 3.54 (96 x 96 x 90)	IOFAE222B100S0000S	13.6 x 2.4 x 2.0 (346 x 60 x 50)	IOFAE222B100D0000S	13.6 x 2.4 x 2.0 (346 x 60 x 50)
ELN1-0250H018	3.8 x 3.8 x 3.54 (96 x 96 x 90)	IOFAE222B100S0000S	13.6 x 2.4 x 2.0 (346 x 60 x 50)	IOFAE222B100D0000S	13.6 x 2.4 x 2.0 (346 x 60 x 50)
ELN1-0250H018	3.8 x 3.8 x 3.54 (96 x 96 x 90)	IOFAE222B100S0000S	13.6 x 2.4 x 2.0 (346 x 60 x 50)	IOFAE222B100D0000S	13.6 x 2.4 x 2.0 (346 x 60 x 50)
EZAELN3002B153	2.2 x 3.0 x 3.9 (56 x 77 x 100)	-	-	-	-
EZAELN3004B742	2.4 x 3.74 x 4.5 (60 x 95 x 114)	-	-	-	-
EZAELN3004B742	2.4 x 3.74 x 4.5 (60 x 95 x 114)	-	-	-	-
EZAELN3006B492	2.4 x 3.74 x 4.6 (60 x 95 x 117)	-	-	-	-
EZAELN3006B492	2.4 x 3.74 x 4.6 (60 x 95 x 117)	-	-	-	-
EZAELN3008B372	3.34 x 4.72 x 5.4 (85 x 120 x 137)	-	-	-	-
EZAELN3010B292	3.34 x 4.72 x 5.27 (85 x 120 x 134)	-	-	-	-
EZAELN3016B182	3.74 x 4.72 x 5.27 (95 x 120 x 134)	-	-	-	-
EZAELN3025B122	4.33 x 6.1 x 6.57 (110 x 155 x 167)	-	-	-	-

Accessories i550; Connection to 400 V mains

Inverters	Rated power Hp (kW)	Line voltage range (V)	Brake resistor	
			Order codes	Dimensions in (mm)
				
Heavy Duty				
i550-C0.37/400-3	0.50 (0.37)	3/PE AC 340 V to 528 V 45 Hz to 65 Hz	ERBM390R100W	9.3 x 0.8 x 1.6 (235 x 20.6 x 40)
i550-C0.55/400-3	0.75 (0.55)		ERBM390R100W	9.3 x 0.8 x 1.6 (235 x 20.6 x 40)
i550-C0.75/400-3	1.0 (0.75)		ERBM390R100W	9.3 x 0.8 x 1.6 (235 x 20.6 x 40)
i550-C1.1/400-3	1.5 (1.1)		ERBP180R200W	9.45 x 1.6 x 4.8 (240 x 41 x 122)
i550-C1.5/400-3	2.0 (1.5)		ERBP180R200W	9.45 x 1.6 x 4.8 (240 x 41 x 122)
i550-C2.2/400-3	3.0 (2.2)		ERBP180R200W	9.45 x 1.6 x 4.8 (240 x 41 x 122)
i550-C3.0/400-3	4.0 (3.0)		ERBP082R200W	12.6 x 1.6 x 4.8 (320 x 41 x 122)
i550-C4.0/400-3	5.0 (4.0)		ERBP047R200W	12.6 x 1.6 x 4.8 (320 x 41 x 122)
i550-C5.5/400-3	7.5 (5.5)		ERBP047R200W	12.6 x 1.6 x 4.8 (320 x 41 x 122)
i550-C7.5/400-3	10.0 (7.5)		ERBP027R200W	12.6 x 1.6 x 4.8 (320 x 41 x 122)
i550-C11/400-3	15.0 (11.0)		ERBP027R200W	12.6 x 1.6 x 4.8 (320 x 41 x 122)
i550-C15/400-3	20.0 (15.0)		ERBS018R800W	28 x 4.33 x 4.13 (710 x 110 x 105)
i550-C18/400-3	25.0 (18.5)		ERBS015R800W	28 x 4.33 x 4.13 (710 x 110 x 105)
i550-C22/400-3	30.0 (22.0)		ERBS015R800W	28 x 4.33 x 4.13 (710 x 110 x 105)
i550-C30/400-3	40.0 (30.0)		ERBG075D01K9	19.13 x 9.3 x 11.9 (486 x 236 x 302)
i550-C37/400-3	50.0 (37.0)		ERBG075D01K9	19.13 x 9.3 x 11.9 (486 x 236 x 302)
i550-C45/400-3	60.0 (45.0)		ERBG075D01K9	19.13 x 9.3 x 11.9 (486 x 236 x 302)
i550-C55/400-3	75.0 (55.0)		ERBG005R02K6	19.13 x 12.8 x 11.9 (486 x 326 x 302)
i550-C75/400-3	100 (75.0)		ERBG005R02K6	19.13 x 12.8 x 11.9 (486 x 326 x 302)
Light duty				
i550-C3/400-3	5.0 (4.0)	3/PE AC 340 V to 528 V 45 Hz to 65 Hz	ERBP082R200W	12.6 x 1.6 x 4.8 (320 x 41 x 122)
i550-C4/400-3	7.5 (5.5)		ERBP047R200W	12.6 x 1.6 x 4.8 (320 x 41 x 122)
i550-C5.5/400-3	10.0 (7.5)		ERBP047R200W	12.6 x 1.6 x 4.8 (320 x 41 x 122)
i550-C7.5/400-3	15.0 (11.0)		ERBP027R200W	12.6 x 1.6 x 4.8 (320 x 41 x 122)
i550-C11/400-3	20.0 (15.0)		ERBP027R200W	12.6 x 1.6 x 4.8 (320 x 41 x 122)
i550-C15/400-3	25.0 (18.5)		ERBS018R800W	28 x 4.33 x 4.13 (710 x 110 x 105)
i550-C18/400-3	30.0 (22.0)		ERBS015R800W	28 x 4.33 x 4.13 (710 x 110 x 105)
i550-C22/400-3	40.0 (30.0)		ERBS015R800W	28 x 4.33 x 4.13 (710 x 110 x 105)
i550-C30/400-3	50.0 (37.0)		ERBG075D01K9	19.13 x 9.3 x 11.9 (486 x 236 x 302)
i550-C37/400-3	60.0 (45.0)		ERBG075D01K9	19.13 x 9.3 x 11.9 (486 x 236 x 302)
i550-C45/400-3	75.0 (55.0)		ERBG075D01K9	19.13 x 9.3 x 11.9 (486 x 236 x 302)
i550-C55/400-3	100 (75.0)		ERBG005R02K6	19.13 x 12.8 x 11.9 (486 x 326 x 302)
i550-C75/400-3	125 (90.0)		ERBG005R02K6	19.13 x 12.8 x 11.9 (486 x 326 x 302)

There are also additional accessory components available for the i550 inverter. You can find the complete range at www.Lenze.com.

Choke		RFI filter			
		Short distance		Long distance	
<ul style="list-style-type: none"> • Heavy Duty: up to 18.5 kW can be optionally used: from 22 kW upwards, prescribed • Light Duty: always prescribed • Reduction of the effective mains current • Less harmonics 		<ul style="list-style-type: none"> • C1 up to 82 ft (25 m) • C2 up to 164 ft (50 m) • Reduces leakage current (30 mA FI) 		<ul style="list-style-type: none"> • C1 up to 164 ft (50 m) • C2 up to 33 ft (100 m) • Reduces leakage current (300 mA FI) 	
Order codes	Dimensions in (mm)	Order codes	Dimensions in (mm)	Order codes	Dimensions in (mm)
EZAELN3002B203	2.2 x 3.0 x 3.9 (56 x 77 x 100)	IOFAE175F100S0000S	10.8 x 2.4 x 2.0 (276 x 60 x 50)	IOFAE175F100D0000S	10.8 x 2.4 x 2.0 (276 x 60 x 50)
EZAELN3002B153	2.4 x 3.74 x 4.5 (60 x 95 x 114)	IOFAE175F100S0000S	10.8 x 2.4 x 2.0 (276 x 60 x 50)	IOFAE175F100D0000S	10.8 x 2.4 x 2.0 (276 x 60 x 50)
EZAELN3004B742	2.4 x 3.74 x 4.5 (60 x 95 x 114)	IOFAE175F100S0000S	10.8 x 2.4 x 2.0 (276 x 60 x 50)	IOFAE175F100D0000S	10.8 x 2.4 x 2.0 (276 x 60 x 50)
EZAELN3004B742	2.4 x 3.74 x 4.5 (60 x 95 x 114)	IOFAE222F100S0000S	13.6 x 2.4 x 2.0 (346 x 60 x 50)	IOFAE222F100D0000S	13.6 x 2.4 x 2.0 (346 x 60 x 50)
EZAELN3004B742	2.4 x 3.74 x 4.5 (60 x 95 x 114)	IOFAE222F100S0000S	13.6 x 2.4 x 2.0 (346 x 60 x 50)	IOFAE222F100D0000S	13.6 x 2.4 x 2.0 (346 x 60 x 50)
EZAELN3006B492	2.4 x 3.74 x 4.6 (60 x 95 x 117)	IOFAE222F100S0000S	13.6 x 2.4 x 2.0 (346 x 60 x 50)	IOFAE222F100D0000S	13.6 x 2.4 x 2.0 (346 x 60 x 50)
EZAELN3008B372	3.34 x 4.72 x 5.4 (85 x 120 x 137)	IOFAE255F100S0000S	13.6 x 2.4 x 2.0 (346 x 90 x 60)	IOFAE255F100D0000S	13.6 x 2.4 x 2.0 (346 x 90 x 60)
EZAELN3010B292	3.34 x 4.72 x 5.27 (85 x 120 x 134)	IOFAE255F100S0000S	13.6 x 3.54 x 2.4 (346 x 90 x 60)	IOFAE255F100D0000S	13.6 x 3.54 x 2.4 (346 x 90 x 60)
EZAELN3016B182	3.74 x 4.72 x 5.27 (95 x 120 x 134)	IOFAE255F100S0000S	13.6 x 3.54 x 2.4 (346 x 90 x 60)	IOFAE255F100D0000S	13.6 x 3.54 x 2.4 (346 x 90 x 60)
EZAELN3020B152	3.74 x 6.1 x 6.4 (95 x 155 x 162)	IOFAE311F100S0000S	14.6 x 4.7 x 2.4 (371 x 120 x 60)	IOFAE311F100D0000S	14.6 x 4.7 x 2.4 (371 x 120 x 60)
EZAELN3025B122	4.33 x 6.1 x 6.57 (110 x 155 x 167)	IOFAE311F100S0000S	14.6 x 4.7 x 2.4 (371 x 120 x 60)	IOFAE311F100D0000S	14.6 x 4.7 x 2.4 (371 x 120 x 60)
EZAELN3035B841	4.33 x 6.1 x 6.57 (110 x 155 x 167)	E84AZESR1834LD	14.4 x 8.1 x 3.54 (365 x 205 x 90)	E84AZESR1834LD	14.4 x 8.1 x 3.54 (365 x 205 x 90)
EZAELN3045B651	4.41 x 7.3 x 7.72 (112 x 185 x 196)	E84AZESR1834LD	14.4 x 8.1 x 3.54 (365 x 205 x 90)	E84AZESR1834LD	14.4 x 8.1 x 3.54 (365 x 205 x 90)
EZAELN3050B591	4.41 x 7.3 x 8.2 (112 x 185 x 208)	E84AZESM2234LD	14.4 x 8.1 x 3.54 (365 x 205 x 90)	E84AZESM2234LD	14.4 x 8.1 x 3.54 (365 x 205 x 90)
EZAELN3063B471	4.8 x 7.3 x 8.15 (122 x 185 x 207)	E84AZESM3034LD	20.4 x 9.84 x 4.13 (519 x 250 x 105)	E84AZESM3034LD	20.4 x 9.84 x 4.13 (519 x 250 x 105)
EZAELN3080B371	4.97 x 8.26 x 9.41 (125 x 210 x 239)	E84AZESM3734LD	20.4 x 9.84 x 4.13 (519 x 250 x 105)	E84AZESM3734LD	20.4 x 9.84 x 4.13 (519 x 250 x 105)
EZAELN3090B331	4.53 x 10.51 x 7.91 (115 x 267 x 201)	E84AZESM4534LD	20.4 x 9.84 x 4.13 (519 x 250 x 105)	E84AZESM4534LD	20.4 x 9.84 x 4.13 (519 x 250 x 105)
EZAELN3100B301	4.57 x 10.51 x 7.91 (139 x 267 x 201)	-	-	-	-
EZAELN3160B191	11.46 x 5.87 x 8.27 (291 x 149 x 210)	-	-	-	-
EZAELN3010B292	3.34 x 4.72 x 5.5 (85 x 120 x 140)	IOFAE255F100S0000S	13.6 x 2.4 x 2.0 (346 x 60 x 50)	IOFAE255F100D0000S	13.6 x 2.4 x 2.0 (346 x 90 x 60)
EZAELN3016B182	3.74 x 4.72 x 5.5 (95 x 120 x 140)	IOFAE255F100S0000S	13.6 x 2.4 x 2.0 (346 x 60 x 50)	IOFAE255F100D0000S	13.6 x 2.4 x 2.0 (346 x 90 x 60)
EZAELN3016B182	3.74 x 4.72 x 5.5 (95 x 120 x 140)	IOFAE255F100S0000S	13.6 x 2.4 x 2.0 (346 x 60 x 50)	IOFAE255F100D0000S	13.6 x 2.4 x 2.0 (346 x 90 x 60)
EZAELN3025B122	4.33 x 6.1 x 6.7 (110 x 155 x 170)	IOFAE311F100S0000S	14.6 x 4.7 x 2.4 (371 x 120 x 60)	IOFAE311F100D0000S	14.6 x 4.7 x 2.4 (371 x 120 x 60)
EZAELN3030B981	4.33 x 6.1 x 6.7 (110 x 155 x 170)	IOFAE311F100S0000S	14.6 x 4.7 x 2.4 (371 x 120 x 60)	IOFAE311F100D0000S	14.6 x 4.7 x 2.4 (371 x 120 x 60)
EZAELN3040B741	4.41 x 7.3 x 7.87 (112 x 185 x 200)	-	-	E84AZESR1834LD	17.17 x 8.07 x 2.4 (436 x 205 x 90)
EZAELN3045B651	4.41 x 7.3 x 7.87 (112 x 185 x 200)	-	-	E84AZESM2234LD	17.17 x 8.07 x 2.4 (436 x 205 x 90)
EZAELN3063B471	4.8 x 7.3 x 8.27 (122 x 185 x 210)	-	-	E84AZESM3034LD	23.23 x 9.84 x 4.13 (590 x 250 x 105)
EZAELN3080B371	4.97 x 8.27 x 9.45 (125 x 210 x 240)	-	-	E84AZESM3734LD	23.23 x 9.84 x 4.13 (590 x 250 x 105)
EZAELN3090B331	4.53 x 10.51 x 8.07 (115 x 267 x 205)	-	-	E84AZESM4534LD	23.23 x 9.84 x 4.13 (590 x 250 x 105)
EZAELN3100B301	4.57 x 10.51 x 8.07 (139 x 267 x 205)	-	-	-	-
EZAELN3125B241	4.57 x 11.47 x 8.46 (139 x 291 x 215)	-	-	-	-
EZAELN3160B191	5.87 x 11.47 x 8.46 (149 x 291 x 215)	-	-	-	-

Lenze Drives GmbH
Postfach 10 13 52
D-31763 Hameln
Germany
Phone +49 05154 82-0
Fax +49 05154 82-2800
Mail Lenze@Lenze.com
Web www.Lenze.com

Lenze Americas
630 Douglas Street
Uxbridge MA 01504
Phone 800 217-9100
Mail techsupport.us@lenze.com
Web www.Lenze.com